

Translation

TÜV NORD



(1) **EC-Type Examination Certificate**

(2) Equipment and protective systems intended for use in potentially explosive atmospheres, **Directive 94/9/EC**

(3) **Certificate Number** **TÜV 07 ATEX 553595**

(4) for the equipment: Level limiter type NK 10.I

(5) of the manufacturer: **Fischer Mess- und Regeltechnik GmbH**

(6) Address: Bielefelder Straße 37 a
D-32107 Bad Salzuflen

Order number: 8000553595

Date of issue: 2007-05-16

(7) This equipment or protective system and any acceptable variation thereto are specified in the schedule to this certificate and the documents therein referred to.

(8) The TÜV NORD CERT GmbH, notified body No. 0044 in accordance with Article 9 of the Council Directive of the EC of March 23, 1994 (94/9/EC), certifies that this equipment or protective system has been found to comply with the Essential Health and Safety Requirements relating to the design and construction of equipment and protective systems intended for use in potentially explosive atmospheres given in Annex II to the Directive. The examination and test results are recorded in the confidential report No. 07 203 553595.

(9) Compliance with the Essential Health and Safety Requirements has been assured by compliance with:

EN 1127-1:1997

EN 50 014:1997 +A1+A2

EN 50 020:2002

EN 13 463-1:2001

EN 13 463-5:2003

(10) If the sign "X" is placed after the certificate number, it indicates that the equipment or protective system is subject to special conditions for safe use specified in the schedule to this certificate.

(11) This EC-type examination certificate relates only to the design, examination and tests of the specified equipment in accordance to the Directive 94/9/EC. Further requirements of the Directive apply to the manufacturing process and supply of this equipment. These are not covered by this certificate.

(12) The marking of the equipment or protective system must include the following:

II 2 G EEx ib c IIC T6

TÜV NORD CERT GmbH, Langemarckstraße 20, 45141 Essen, accredited by the central office of the countries for safety engineering (ZLS), Ident. Nr. 0044, legal successor of the TÜV NORD CERT GmbH & Co. KG Ident. Nr. 0032

The head of the certification body

Schwedt

Hanover office, Am TÜV 1, 30519 Hanover, Fon +49 (0)511 986 1455, Fax +49 (0)511 986 1590

This certificate may only be reproduced without any change, schedule included.
Excerpts or changes shall be allowed by the TÜV NORD CERT GmbH

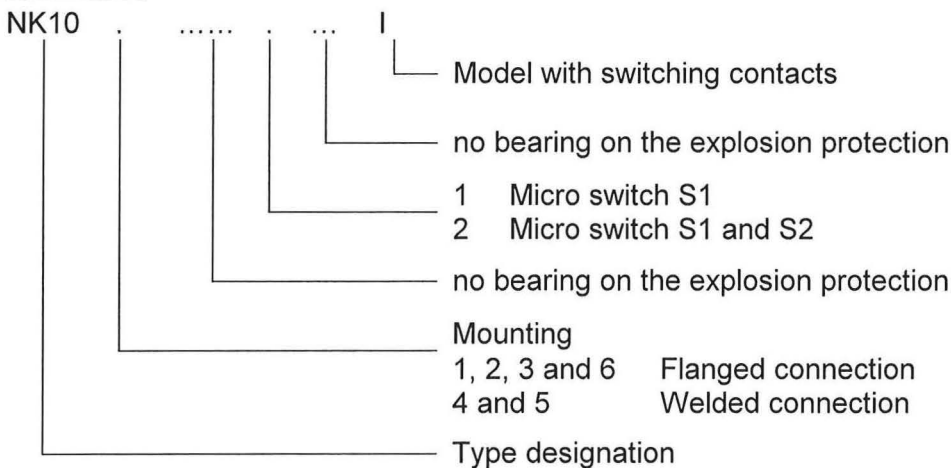
(13) **SCHEDULE**

(14) **EC-Type Examination Certificate No. TÜV 07 ATEX 553595**

(15) Description of equipment

The Level limiter type NK 10.I is to determine levels in pressureless and fluid-filled tanks. The above mentioned equipment consists of a float system and a housing with 1 or 2 micro switches connected to intrinsically safe circuits. Float activity by changes of the filling level trips the micro switches. A test switch located outside of the tank is to check the float activity. The above mentioned equipment is to mount horizontal to the tank by flanged or welded connection.

Type code



Technical Data

Permissible range of ambient resp. medium temperature	-20 °C to 60 °C
Permissible range of ambient resp. medium pressure	0,8 to 1,1 bar absolute

Electrical Data

Contact circuit in the type of protection Intrinsic Safety EEx ib IIC
 (Connections in the connection box;) only for connection to certified intrinsically safe circuits
 connections 1, 2, 3; 4, 5, 6) Maximum values per circuit:
 $U_i = 30 \text{ V}$
 $I_i = 160 \text{ mA}$
 $P_i = 800 \text{ mW}$
 The effective internal inductances and capacitances are negligibly small.

The intrinsically safe contact circuits are safe galvanically separated from each other and ground potential.

(16) Test documents are listed in the test report No. 07 203 553595.

Schedule EC-Type Examination Certificate No. TÜV 07 ATEX 553595

(17) Special conditions for safe use

none

(18) Essential Health and Safety Requirements

no additional ones

Translation

1. SUPPLEMENT

to Certificate No.	TÜV 07 ATEX 553595
Equipment:	Level limiter type NK 10.....H
Manufacturer:	Fischer Mess- und Regeltechnik GmbH
Address:	Bielefelder Straße 37 a 32107 Bad Salzuflen Germany
Order number:	8000421888
Date of issue:	2014-06-11

Amendments:

Amendments according to the EC-Type Examination Certificate TÜV 07 ATEX 553595:

The type code has changed from NK 10.....I to NK 10.....H. The „H“ stands for the use in explosion hazardous areas.

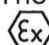

In the future, the a. m. equipment can be also operated in explosion hazardous areas with combustible dust.

In the future, the a. m. equipment is manufactured according the documents listed in the test report. The changes refer to the construction.

The below mentioned standards are considered.

All other data apply unchanged.

The marking changes as follows:

 **II 2 G Ex ib c IIC T6 Gb**
 **II 2 D Ex tb c IIIC T80 °C Db**

The equipment incl. this supplement meets the requirements of these standards:

EN 60079-0:2012	EN 60079-11:2012	EN 60079-31:2009
EN 13463-1:2009	EN 13463-5:2011	

(16) The test documents are listed in the test report No. 14 203 123030.

(17) Special conditions for safe use

no additional ones

(18) Essential Health and Safety Requirements

no additional ones

1. Supplement to Certificate No. TÜV 07 ATEX 553595

TÜV NORD CERT GmbH, Langemarckstraße 20, 45141 Essen, notified by the central office of the countries for safety engineering (ZLS), Ident. Nr. 0044, legal successor of the TÜV NORD CERT GmbH & Co. KG Ident. Nr. 0032

The head of the notified body

A handwritten signature in blue ink, appearing to read "Schwedt".

Schwedt

Hanover office, Am TÜV 1, 30519 Hannover, Tel.: +49 (0) 511 986-1455, Fax: +49 (0) 511 986-1590